

XCD 3,2/90mm

The **XCD 90mm** is the ideal portrait lens for the X1D. Its moderate telephoto focal length provides a 71mm equivalent field of view, making it the perfect portrait lens. Coupled with its wide aperture, the focal length allows you to isolate small elements in the field of view with a beautifully smooth bokeh.

All XCD lenses contain a lens shutter delivering shutter speeds from 60 minutes to 1/2000 second. Providing flash sync at all speeds allows complete freedom when mixing flash and daylight. The lens shutter also generates very little vibration providing hand-held shots with perfect sharpness.

GENERAL LENS DATA

Focal length	90.0 mm
Equivalent Focal length (24x36)	71 mm
Aperture range	3.2 - 32
Angle of view diag/hor/vert	34°/27°/21°
Length/diameter	100 mm/77 mm
Weight (excl. covers and lens shade)	619 g
Filter diameter	67 mm
Product number	3025090

CLOSE FOCUS RANGE DATA

Minimum distance object to image plane	0.7 m
Maximum image scale	1:6.0
Corresponding area of coverage	26 x 20 cm
Corresponding exposure reduction	0 f-stop

COMPATIBILITY

- Hasselblad X1D cameras



LENS DESIGN

10 elements in 8 groups

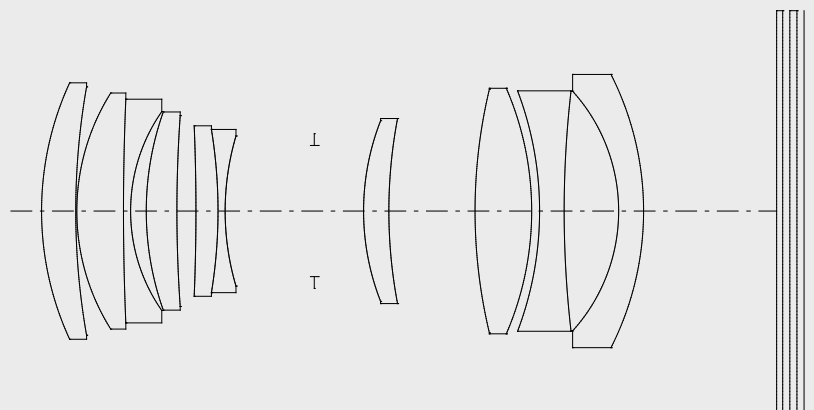
FOCUS TYPE

Internal focusing

ENTRANCE PUPIL POSITION

53 mm in front of image plane

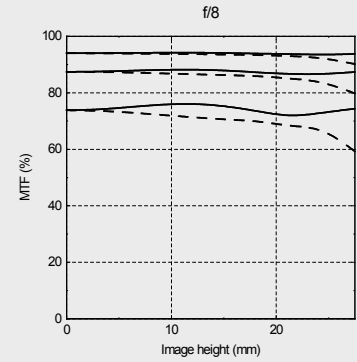
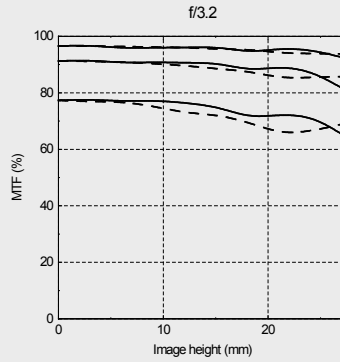
The entrance pupil position is the correct position of the axis of rotation when making a panorama image by combining individual images of a scene.



MTF

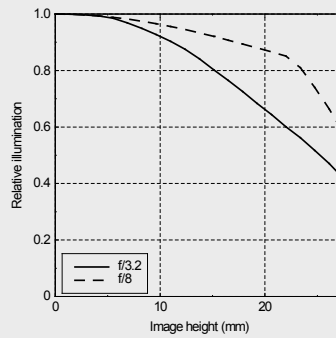
Modulation Transfer as a function of image height at infinite focus setting.

Sagittal slit orientation drawn with continuous line and tangential with dashed. White light. Spatial frequencies 10, 20 and 40 lp/mm



RELATIVE ILLUMINATION

Infinity setting



DISTORTION

Infinity setting

